

# INVISIBLE MINI MIFARE1 LOCK

**Application:**

Suitable for companies, hotels, super market storage cabinets, schools, swim- & sauna bathing spots, golf courses & oilrigs. May be used for cabinet & sliding doors depending on striker used.

**Specifications:**

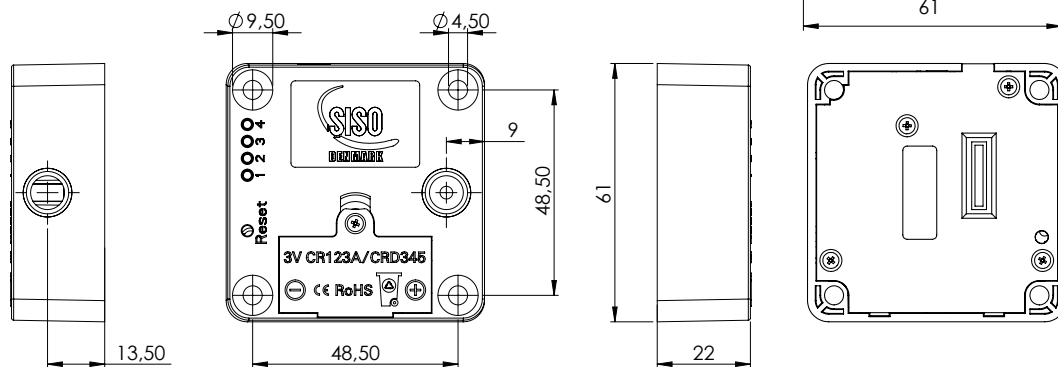
Black ABS lock body case.  
 Operated by Mifare1 technology. (13,56 MHz)  
 Power supply by CR123A Lithium battery.  
 Working temperature: -15 - +65 Celsius.  
 Working humidity: <=90 %

**Features:**

Pre-coded to public mode. May be changed to private or office mode by use of programming buttons on the lock. (see detailed user manual on [www.siso.dk](http://www.siso.dk))  
 49 users may be programmed per lock.  
 W/alarm function (may be switched off)  
 Standalone lock. (No wiring needed)  
 Invisible installation. Signal goes through max. 20mm wood/glass panels.  
 May be programmed to double key function



**Size:** 61 x 61 x 22 mm  
**Item No.:** # 14.60.275  
 (Batteries, keys, cards, strikers & covers to be bought separately)



## MIFARE1 KEYS & CARDS

**Key Fob, black**  
 Recommended to use as user key  
**Item No.:** # 14.60.357

**Plastic Card, white**  
 Recommended to use as Master card & Delete card.  
 May be used as user card as well.  
**Item No.:** # 14.60.346



# PUSH TO OPEN STRIKER FOR CABINET & SLIDING DOORS

## Application:

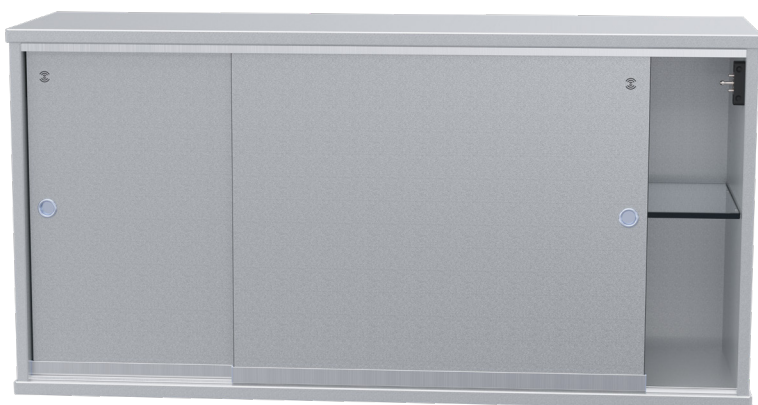
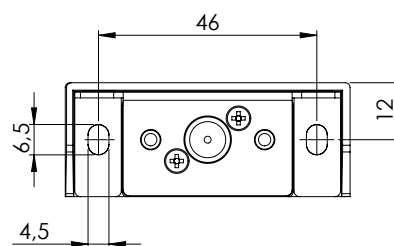
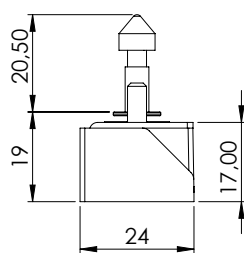
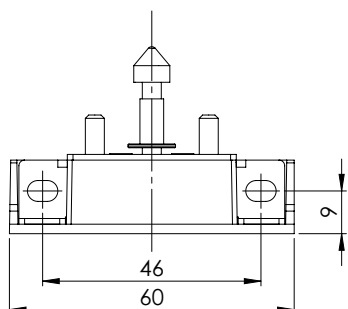
For cabinet & sliding doors.  
With push to open function.

## Specifications:

Black ABS frame  
Steel body, spring & pins

Size: 60 x 24 x 17 mm

Item No.: # 14.60.276



## SISO A/S

Mileparken 11 Phone: (+45) 45 830 900  
DK - 2740 Skovlunde (Copenhagen) Fax: (+45) 45 830 444  
Denmark E-mail: siso@siso.dk Web: www.siso.dk

# PROTECTION COVERS FOR MINI MIFARE1 LOCK & STRIKER

## PROTECTION COVER FOR LOCK

**Application:**

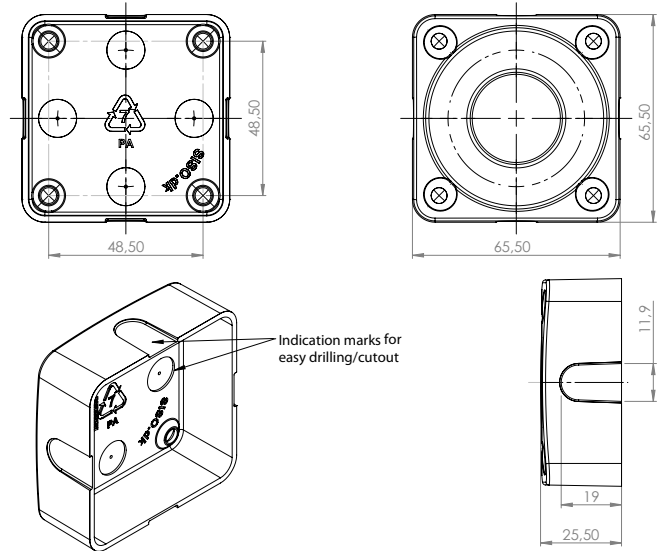
For hiding the program buttons & battery cover. To be installed after programming of the lock. With indication marks for easy cutout/drilling according to application needed.

**Specifications:**

Black PA

**Size:** 65,5 x 65,5 x 25,5 mm

**Item No.:** # 14.60.277



## PROTECTION COVER FOR STRIKER

**Application:**

For elegant/smooth design. With blind screw holes for easy drilling according to application needed.

**Specifications:**

Black PA

**Size:** 69 x 28 x 17 mm

**Item No.:** # 14.60.278

